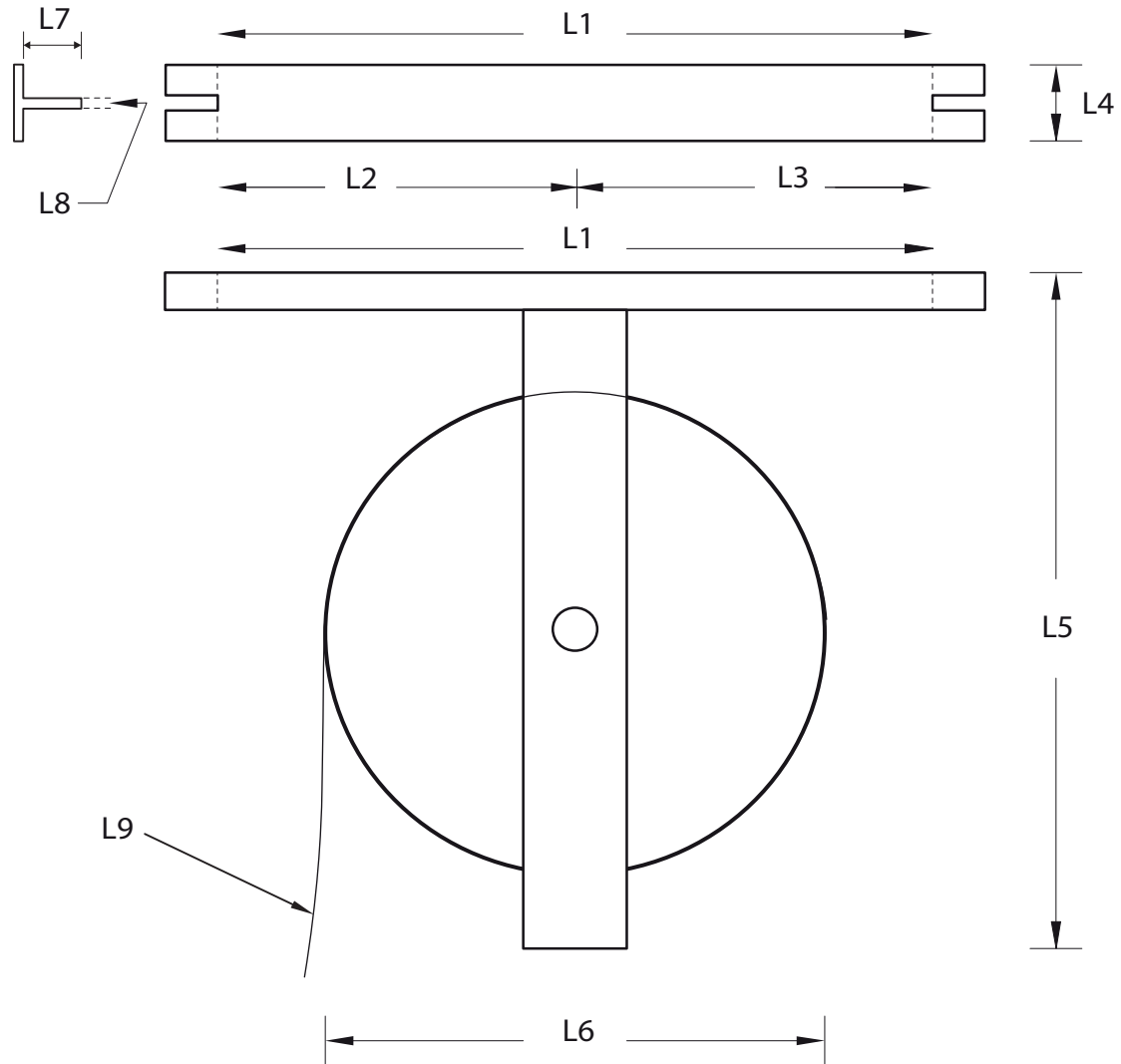


# Survey form - Pulley head

Order number \_\_\_\_\_

Site address \_\_\_\_\_



Distance between guides (DBG)

L1 = \_\_\_\_\_ mm

Offset left

L2 = \_\_\_\_\_ mm

Offset right

L3 = \_\_\_\_\_ mm

Width of cross head, pulley

L4 = \_\_\_\_\_ mm

Total height of pulley head

L5 = \_\_\_\_\_ mm

Diameter of pulley

L6 = \_\_\_\_\_ mm

Height of guides

L7 = \_\_\_\_\_ mm

Thickness of guides

L8 = \_\_\_\_\_ mm

Ropes

L9 = \_\_\_\_\_ X \_\_\_\_\_ mm  
(amount) (diameter)